

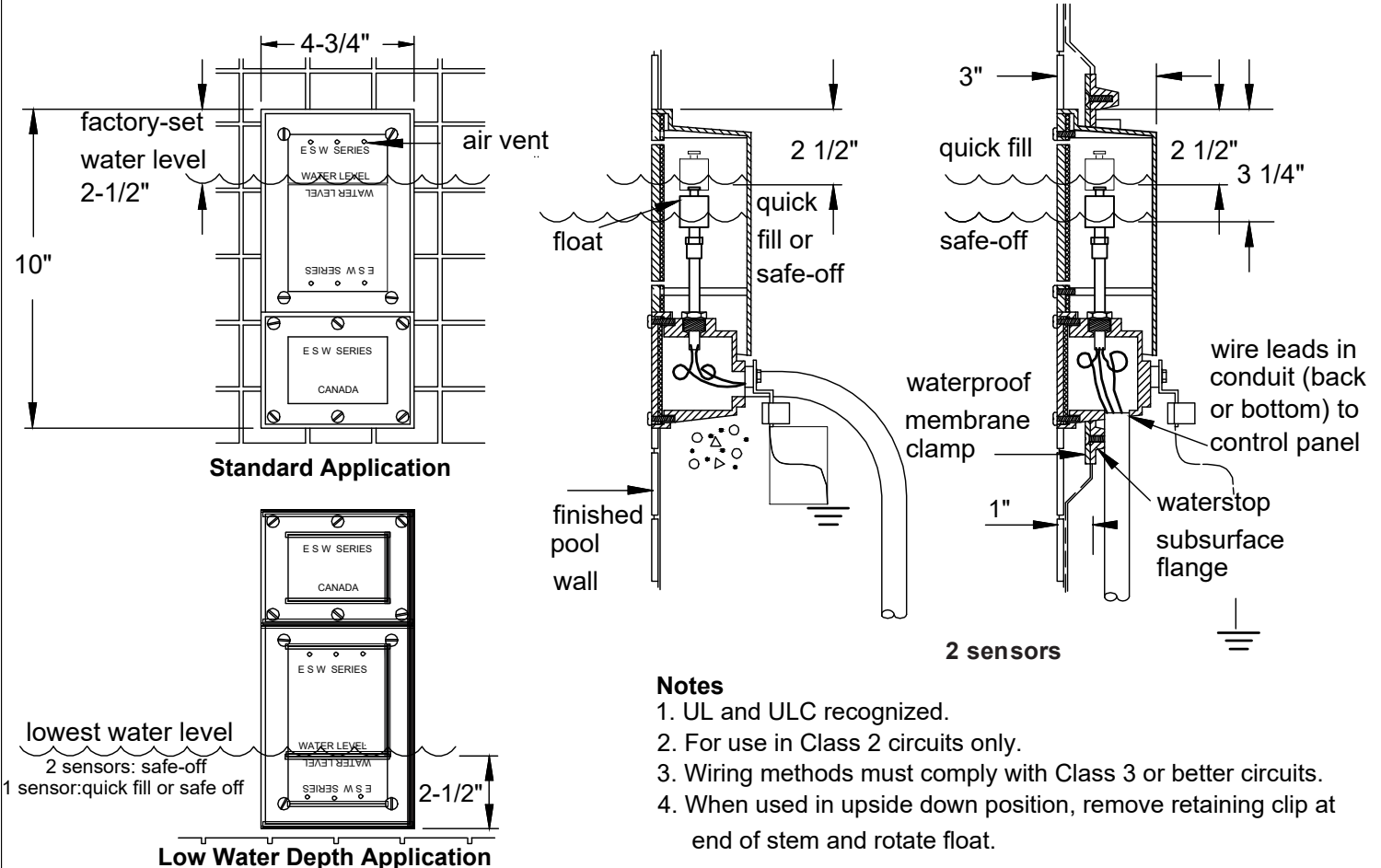
Function

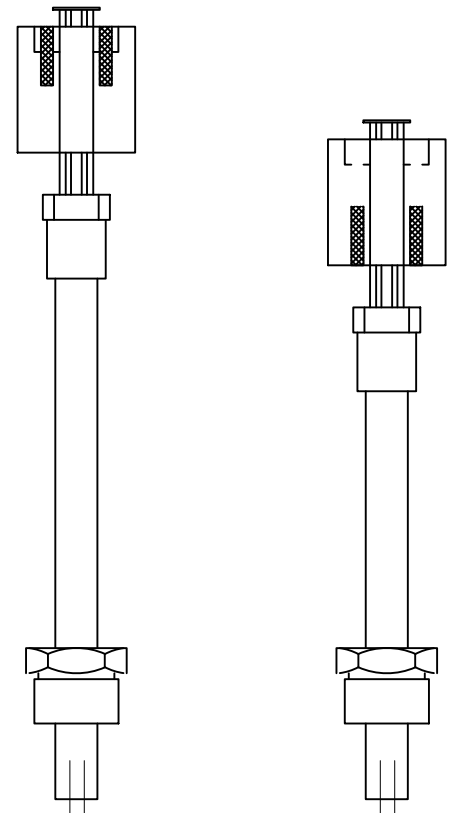
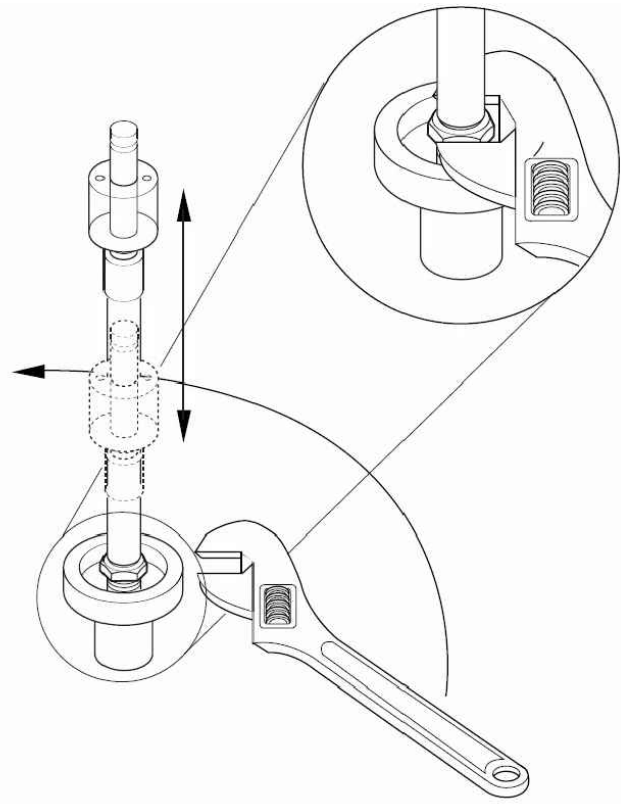
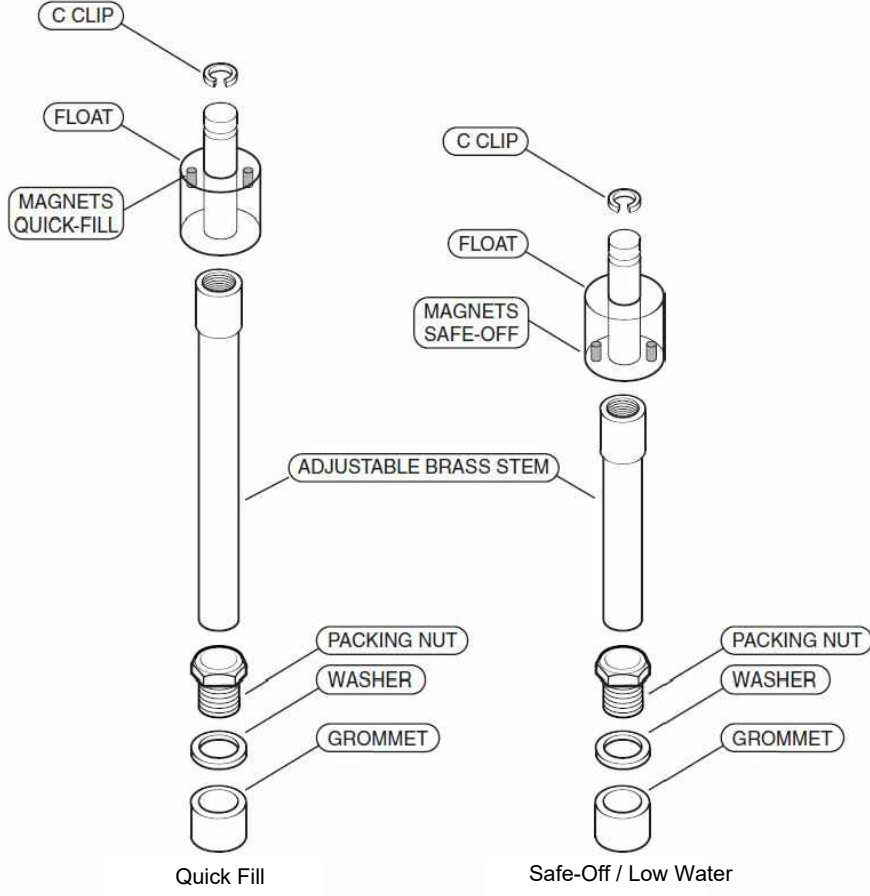
Flush, wall mounted, electronic water level sensor automatically monitors quick fill and safe-off functions. May be mounted upside down for shallow applications. Standard with back connection. Low voltage for safety. Connects to Crystal Fountains' ECL series control panel.

Specifications

Construction of sensor box, junction box and covers shall be cast bronze with neoprene gasket and seals. Sensor shall be reed switch enclosed in a polypropylene, magnetically actuated float with 1" level adjustment. Voltage and current ratings: 24 VAC/DC, 0.28A

	No. of Sensor	1/2" Conduit Connection	Waterproof Membrane Clamp	Waterstop Subsurface Flange	Part No.
Quick Fill and Safe-Off Application	2	back	no	no	ESW200
			yes	yes	ESW202
	bottom	no	no	ESW203	
		yes	yes	ESW204	
		yes	yes	ESW205	





To adjust the height of the sensor, simply loosen the packing nut and raise or lower the brass stem. Re-tighten the packing nut after the adjustment.

Quick Fill Sensor Common Wire Safe-Off / Low Water Level Sensor