

## Function

Precision engineered for heavy-duty fountain use. Supplied with vandal resistant vacuum plug.

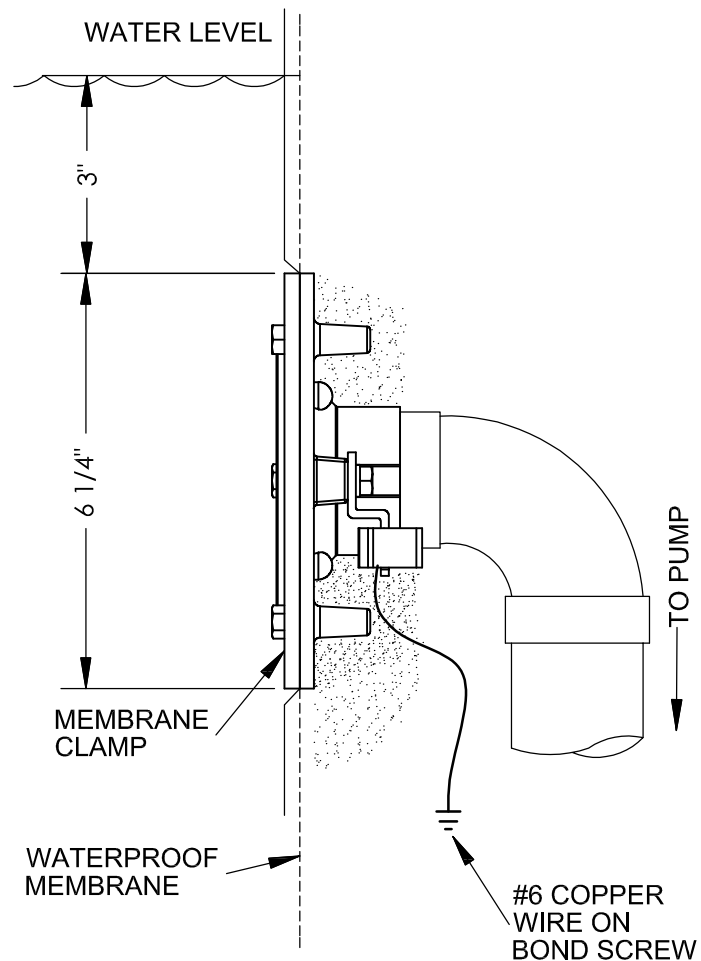
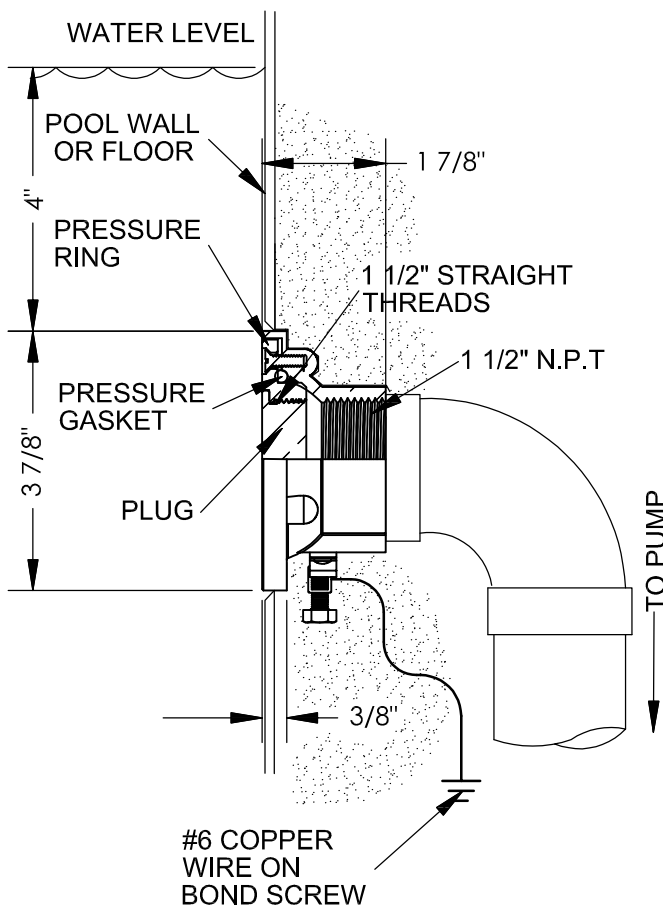
## Specification

construction shall be cast bronze with stainless steel fasteners. Inlet and outlet shall be 1 1/2".

## Options

AWA150-L - Membrane clamp

WMF082 - Security key



WITH OPTIONAL MEMBRANE CLAMP