

Function

Submersible conduit mounted junction boxes for underwater connections.

Specification

Construction shall be cast bronze equipped with neoprene gasket, stainless steel fasteners and copper ground connections (EBJ216: total 4 internal incl. 2 lugs; other models: 1 external and 2 internal incl. 1 lug).

Notes

1. Trade size 1/2" and 3/4" plugs and cord seals are to be tightened with a torque of 90Nm (80lbf.in).
2. Lid fasteners are to be tightened with a torque of 2 Nm (19 lbf.in).
3. Thread sealant compound or Teflon tape must be used for a leak-free seal.

Listings

UL and ULC listed to safety standards for use in water other than in swimming pools and spas. IP68 Rated

For swimming pools and spas use, or junction box to be flush mounted, refer to Crystal Fountains' EBN208.



Options

Junction Box Potting Compound

EBJ C10 - 21 oz

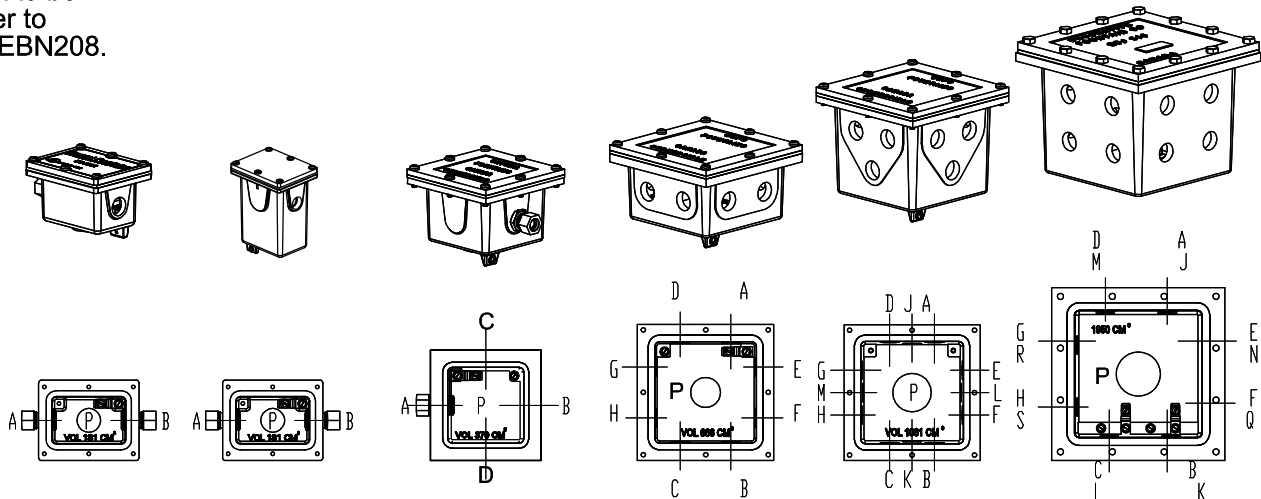
EBJ C20 - 12 oz

Junction Box Cord Seal

EGS series - for watertight connections of underwater cables connecting junction boxes with lights, water level sensors and pumps.

Stub Up

EP series - flanged bronze conduit stub ups provide watertight and secure penetrations through concrete and slabs directly into fountain pools.



Junction Box Part No.		EBJ202	EBJ203	EBJ204	EBJ208	EBJ212	EBJ216
Bottom Hub	(N.P.T)	3/4"	3/4"	3/4"	1"	1 1/4"	1 1/2"
Side Hubs	(N.P.T)	(2) x 1/2"	(2) x 1/2"	(4) x 1/2"	(8) x 1/2"	(12) x 1/2"	(16) x 1/2"
Overall Dims "L" x "W" x "H"	(Inches)	4" x 3 1/4" x 3 1/4"	4" x 3 1/4" x 5 1/4"	4 1/2" x 4 1/2" x 3 3/4"	5 1/2" x 5 1/2" x 3 1/2"	5 1/2" x 5 1/2" x 4 1/2"	7" x 7" x 5 1/2"
	(mm)	102 x 82 x 82	102 x 82 x 134	115 x 115 x 95	140 x 140 x 90	140 x 140 x 115	178 x 178 x 140
Inside	(Cu In.)	11.1	25	22.6	40.6	64.7	119
Volume	(Cu. Cm)	181	409	370	666	1061	1950

Field-Drilled / Tapped Boxes	Part No.	EBJ202A100	EBJ203A100	EBJ204A100	EBJ208A100	EBJ212A100	EBJ216A100
	Bottom Hub	Max. 3/4"	Max. 3/4"	Max. 1"	Max. 1"	Max. 1 1/4"	Max. 1 1/4"
	Side Hubs	Max. (2) x 1/2"	Max. (3) x 1/2"	Max. (4) x 1/2"	Max. (8) x 3/4"	(8) x 3/4" + (4) x 1/2"	Max. (16) x 3/4"

Hubs should be between 3-1/2 and 5 threads. Field-drilled boxes must be tapped all the way through a hole and not exceed trade sizes listed above

Factory- Drilled / Tapped Boxes	Part No.	EBJ202A101	EBJ203A101	EBJ204A101	EBJ208A101	EBJ212A101	EBJ216A101
	Bottom Hub	Max. 3/4"	Max. 3/4"	Max. 1 1/4"	Max. 1 1/2"	Max. 2"	Max. 2"
	Side Hubs	Max. (2) x 1/2"	Max. (3) x 1/2"	Max. (4) x 3/4"	Max. (8) x 3/4"	Max. (12) x 3/4"	Max. (16) x 3/4"

When ordering factory-drilled boxes, specify the part number, hub locations and the the hub sizes. (eg. EBJ204A101 - Side Hubs A=B=1/2", C=3/4"; Bottom hub