

Function

Flanged bronze conduit stub ups are leak-proof and strong. Stub ups provide watertight and secure penetrations through concrete and membranes directly into fountain pools. Use as terminal connections with Crystal Fountains 'EBJ' bronze underwater junction boxes.

Specifications

Construction of stub up pipe shall be red brass with cast bronze flange soldered to pipe, equipped with copper ground lug and stainless steel bolts. Standard threading on both ends shall be N.P.T

Underdeck clamp for EPC shall be cast bronze with galvanized rods, washers and nuts.



EPA

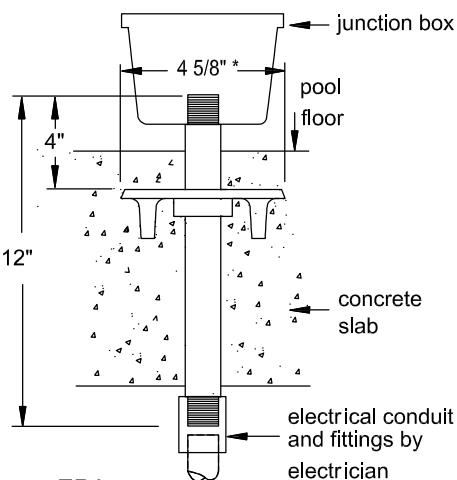
EPB

EPC

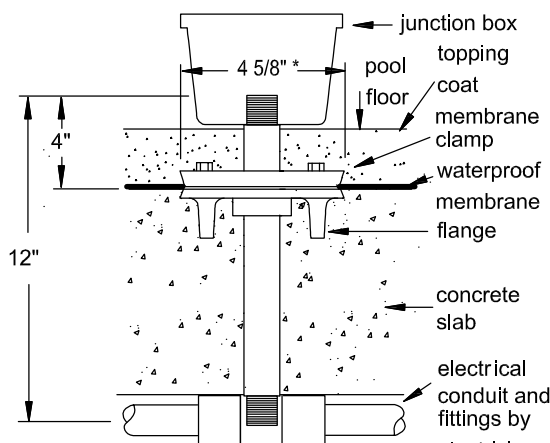
connection	PART number		
	no membrane	sub surface membrane	cored hole
1/2"	EPA050	EPB050	EPC050
3/4"	EPA075	EPB075	EPC075
1"	EPA100	EPB100	EPC100
1 1/4"	EPA125	EPB125	EPC125
1 1/2"	EPA150	EPB150	EPC150
2"	EPA200	EPB200	EPC200
3"	EPA300	EPB300	EPC300

Notes

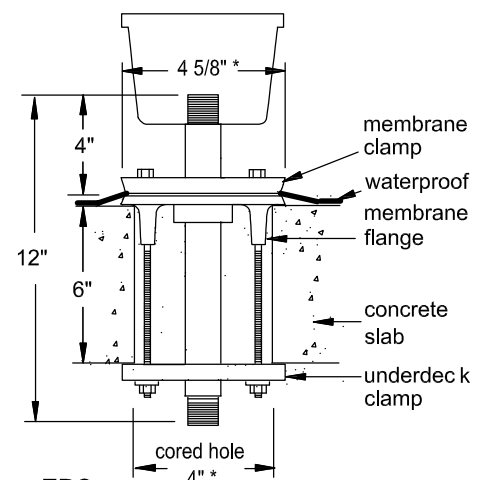
- *1. Diameters of flange, membrane and underdeck clamps for EPA300/EPB300 / EPC300 stub ups are 6 1/4", cored hole to be 5 5/8".
2. Contact Crystal Fountains for customized pipe lengths.
3. Standard flange position is shown, custom heights are available.
4. Standard EPC handles a 6" (max.) thick slab. Specify slab thickness if it is greater.



EPA
no membrane application



EPB
sub surface membrane application



EPC
cored hole application