

Function

Heavy duty wall mounted overflow drain regulates water level. Excess water spills over adjustable weir. Single screw adjusts the weir plate to desired level after installation.

Specification

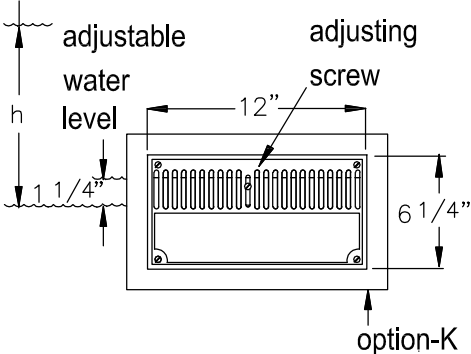
Construction of the drain body and grate shall be bronze with stainless steel or brass adjustable weir plate and neoprene water tight gasket. All fasteners are 316 stainless steel.



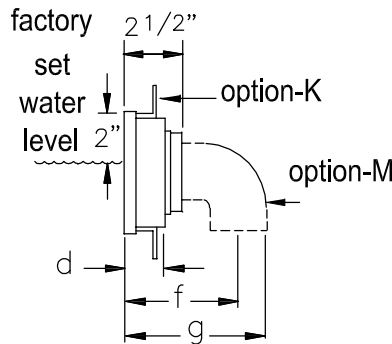
Options

- Open Grate (no adjustment) - DUGC20
- Surface flange - DOWC60
- Membrane clamp - DOWA10
- 90° Solder elbow - add option M
- Winter cover - DOWC70

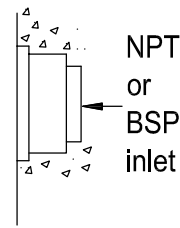
water level will rise above weir based on flows shown on chart



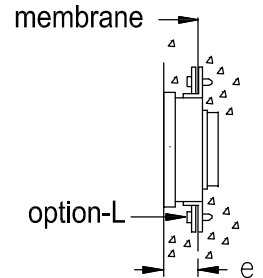
SURFACE MOUNTED APPLICATION



FLUSHWALL APPLICATION



MEMBRANE APPLICATION



Dimensions

PART no.	inlet NPT/BSP	d		e		f	g
		min.	max.	min.	max.		
DOW300	3"	1 1/4"	2"	1 1/4"	2"	4 3/4"	6 1/4"
DOW400	4"	1 1/4"	2"	1 1/4"	2"	5 3/4"	7 1/4"

Performance (fully open)

PART no.	US GPM	5	10	15	20	25	30	35	40	45	50	55	60	65	70	75	80	85	90	95	100	105	110	115	
DOW300	"h" (inch) water level	5/16	1/2	5/8	13/16	1	1 3/16	1 5/16	1 1/2	1 5/8	1 13/16	2 1/16	3 3/8	4 3/4											
DOW400	above drain	1/4	1/2	3/4	7/8	1	1 3/16	1 3/8	1 1/2	1 11/16	1 7/8	2 1/8	2 1/4	2 3/8	2 3/8	2 1/2	2 3/4	2 3/4	3 1/8	3 3/4	4 1/2	5 1/8	5 7/8	6 5/8	