

Function

Combination overflow and pool drain. Excess water overflows into standpipe. Slip connection on standpipe facilitates removal for draining.

Specification

Construction of combination overflow and pool drain body with reversible clamp collar, adjustable extension, tapered water tight slip connection and vented dome shall be cast bronze with copper standpipe and stainless steel fasteners. Comes complete with copper ground lug.

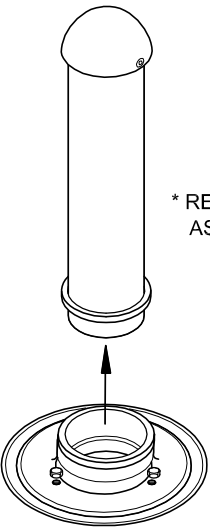
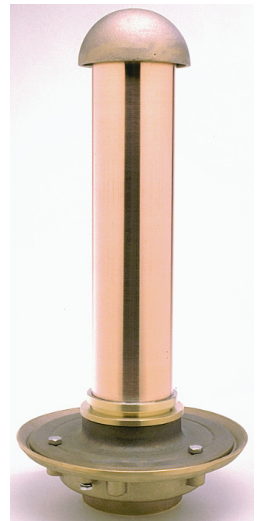
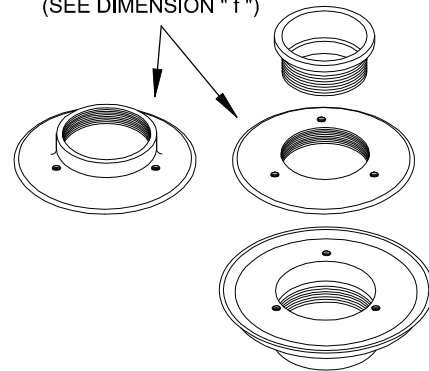
Options

Debris Screen - D2S10 (2" inlet)
 - D3S10 (3" inlet)
 - D4S10 (4" inlet)

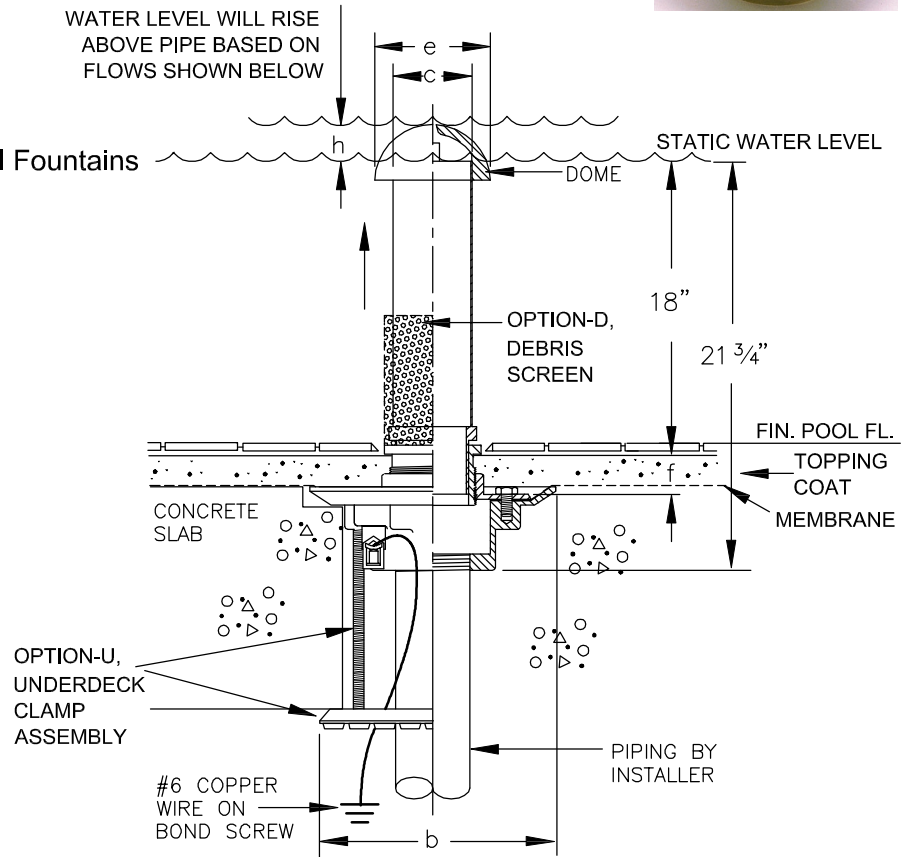
Stand Pipe greater than 18" - Contact Crystal Fountains

Underdeck Clamp - D2A10 (2" inlet)
 - D3A10 (3" inlet)
 - D4A10 (4" inlet)

* CLAMP COLLAR CAN BE FLIPPED FOR LOW TILE APPLICATION (SEE DIMENSION "f")



* REMOVE THE STAND-PIPE ASSEMBLY TO USE AS A POOL DRAIN



Dimensions

Performance

part no.	inlet n.p.t./b.s.p.	b	c	e	f max.	US gpm	5	10	15	20	25	30	35	40
DOA200	2"	6 1/2"	2"	3 1/4"	2"	"h"	5/8"	1 5/16"	2"	2 1/2"	2 3/4"	3 1/8"	4 1/4"	9 7/16"
DOA300	3"	8 3/4"	3"	4 1/4"	1 1/2"	water level above drain	5/16"	3/4"	1 5/16"	2 1/16"	3 1/4"	4 3/16"		
DOA400	4"	9"	4"	5 1/4"	1"		3/16"	7/16"	1 3/16"	1 1/4"	1 7/16"	2 1/8"	2 5/8"	3 3/8"