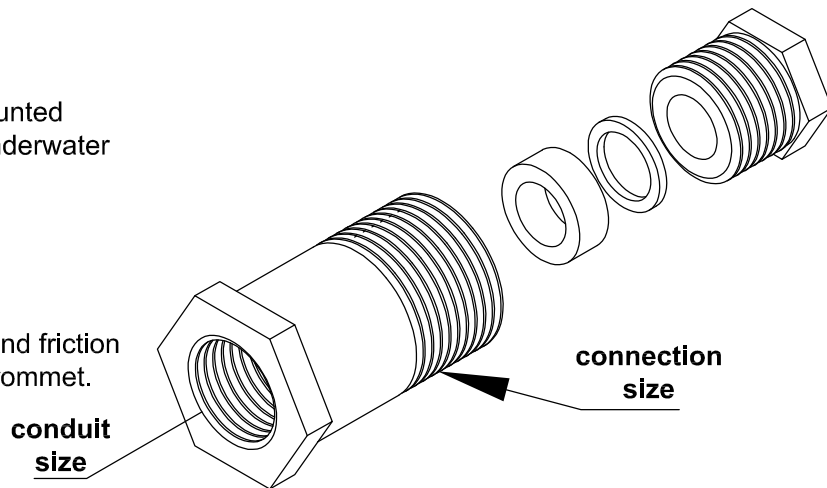


## Function

Compression cord seal for use with EBN flush mounted junction box. Provides watertight connection of underwater cables connecting junction boxes with lights.

## Specification

Construction of cord seal body, compression nut and friction washer shall be brass with neoprene or silicone grommet.



PART no.	connection n.p.t./b.s.p.	conduit size	cable size	awg types (* note 2)
EGN075	3/4"	1/2"	$2\frac{3}{64}$ " - $\frac{7}{16}$ "	18/3, 18/4, 16/3, 16/4 ...
EGN078	3/4"	1/2"	$\frac{1}{2}$ "	18/5
EGN080	3/4"	3/4"	$\frac{1}{2}$ "	16/5
EGN100	1"	1"	$2\frac{1}{32}$ "	10/3

## Notes

1. Must be installed by a qualified electrician according to local electrical codes.
2. AWG types shown are for Crystal Fountains products, cable sizes from different manufacturer may vary.

