

## Function

Conduit mounted electronic water level sensor automatically monitors quick fill or safe-off functions. Low voltage for safety. Connects to Crystal Fountains' ECL series control panel.

## Specifications

Construction of sensor enclosure shall be cast bronze and brass with neoprene moulded seal and gasket. Sensor shall be reed switch enclosed in a polypropylene, magnetically actuated float with 1" level adjustment.

Electrical conduit connection: 3/4" n.pt./b.s.p.

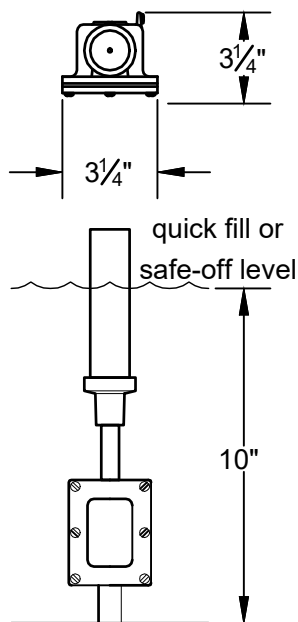
ESF100 - 1 sensor, quick fill or safe-off

Voltage and current ratings:

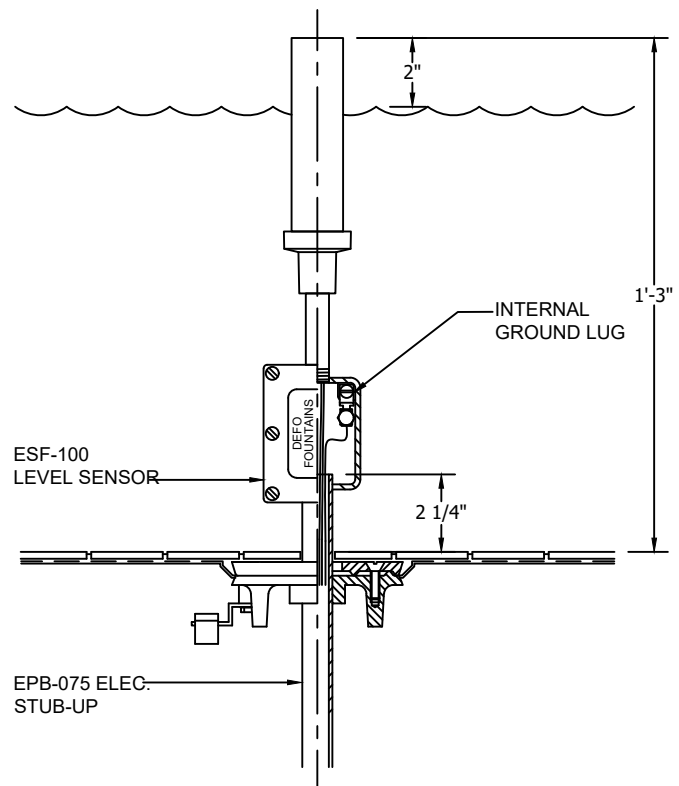
24 VAC/DC, 0.28A

## Notes

1. UL and ULC listed.
2. For use in Class 2 circuits only.
3. Wiring methods must comply with Class 3 or better circuits
4. Custom sizes available upon request

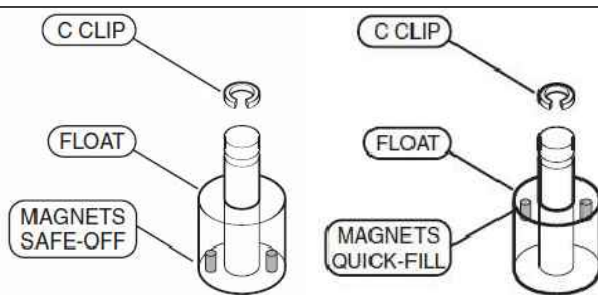


**ESF100**

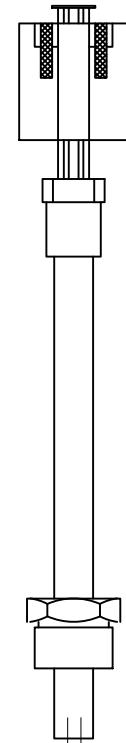
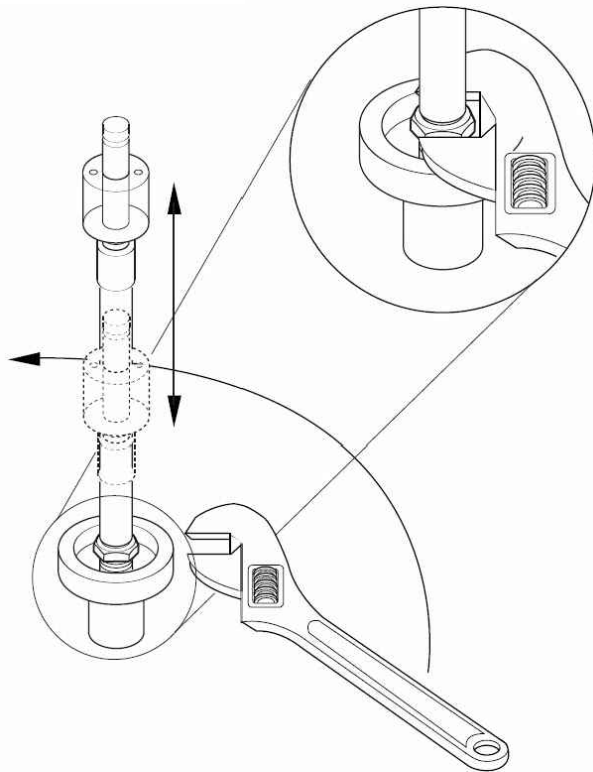
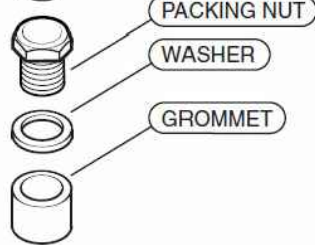


ESF-100  
LEVEL SENSOR

EPB-075 ELEC.  
STUB-UP



ADJUSTABLE BRASS STEM



Common Wire      Quick Fill or Safe-Off /  
Low Water Level

To adjust the height of the sensor, simply loosen the packing nut and raise or lower the brass stem. Re-tighten the packing nut after the adjustment.