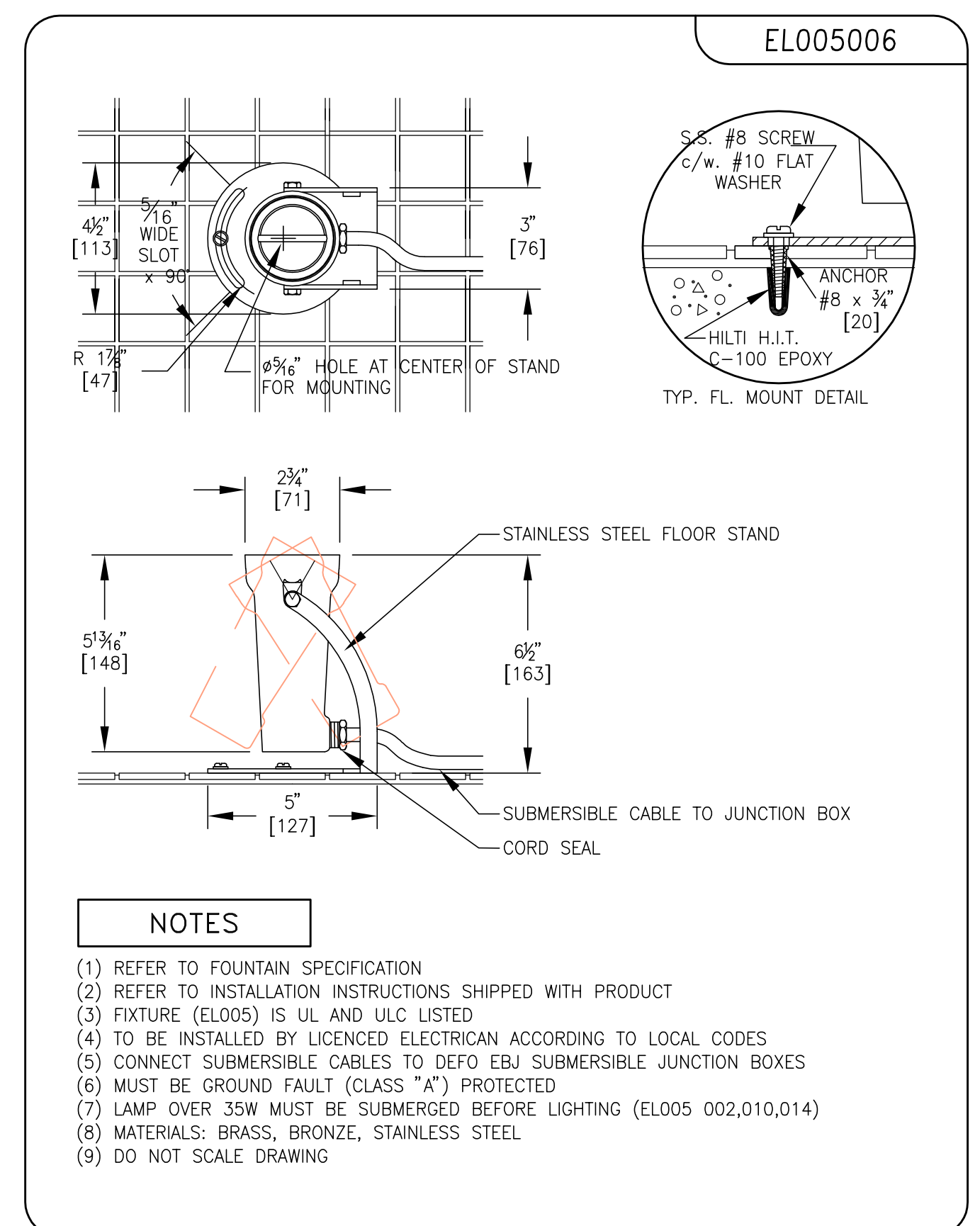
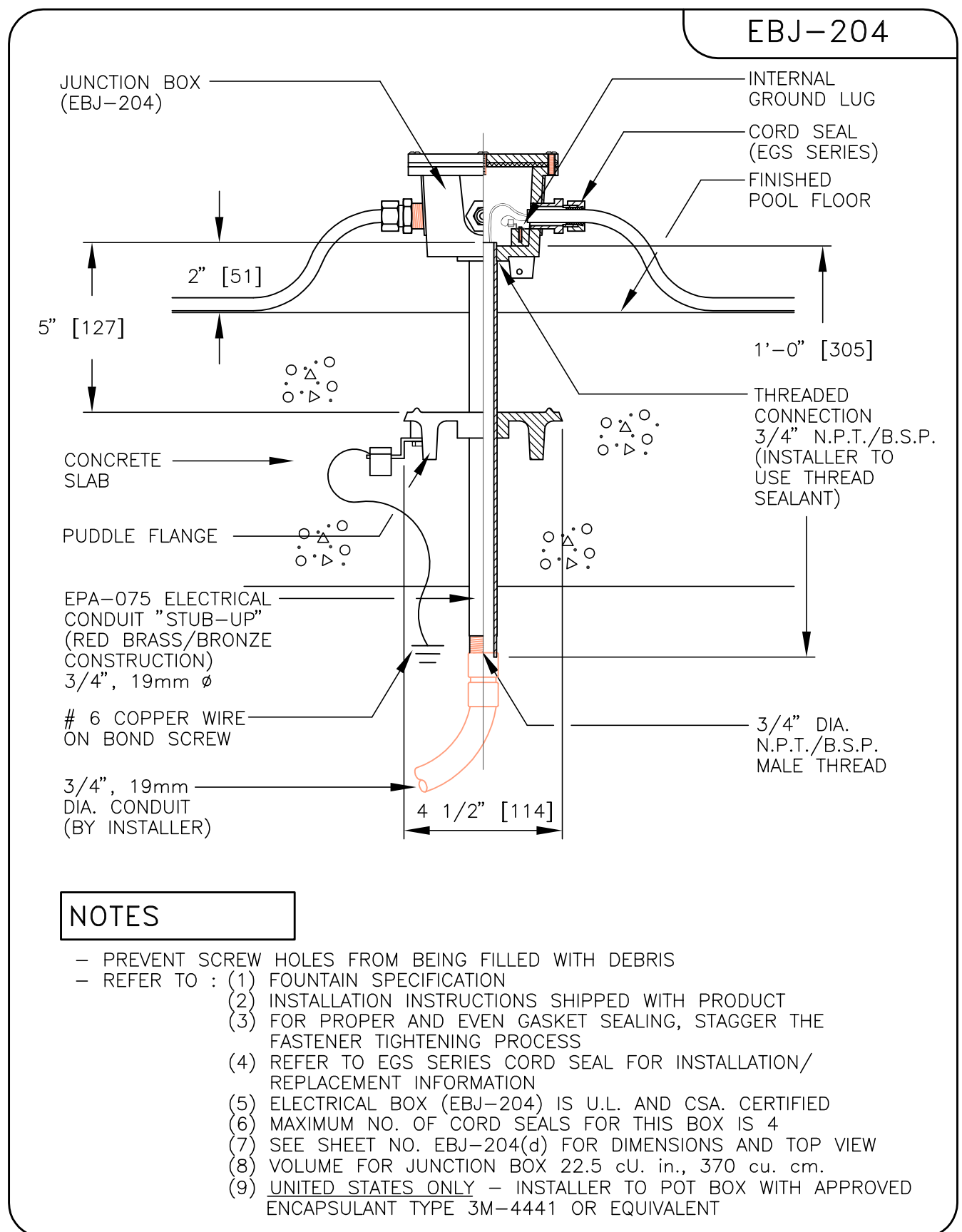


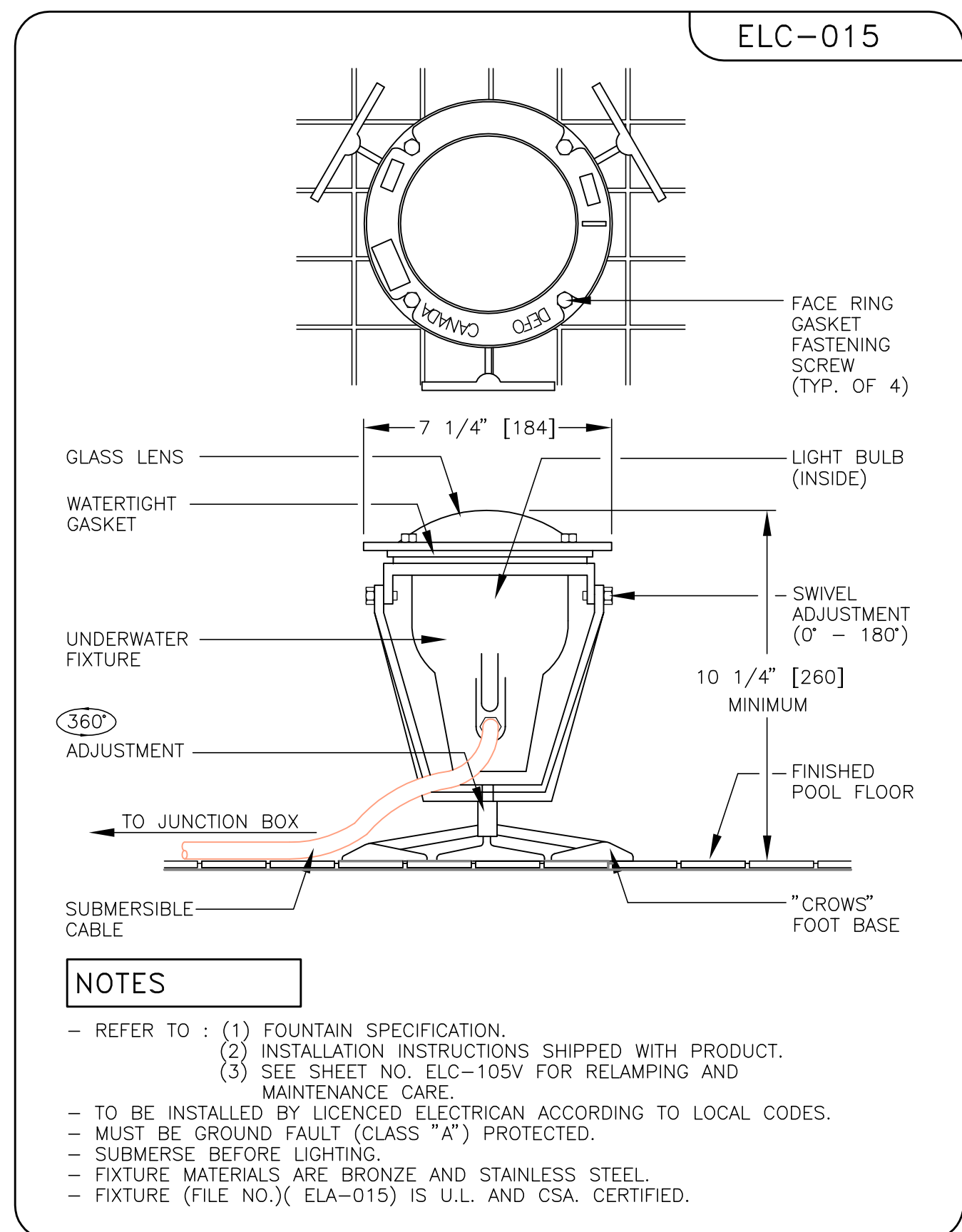
PLAN
SCALE: 1/4"=1'



FOUNTAIN LIGHTING



FOUNTAIN COMPONENTS - ELECTRICAL



FOUNTAIN UNDERWATER LIGHTING

LEGEND

- EBJ JUNCTION BOX W/ EPA SERIES STUB-UP
- ELC-015 250 WATT SUBMERSIBLE LIGHT FIXTURE
- ELC-005 100 WATT SUBMERSIBLE LIGHT FIXTURE
- ESW-200 DUAL STAGE WATER LEVEL SENSOR

NOTES:

ALL J-BOXES TO BE POTTED WITH 3M SCOTCHCAST RE-ENTERABLE POTTING COMPOUND.